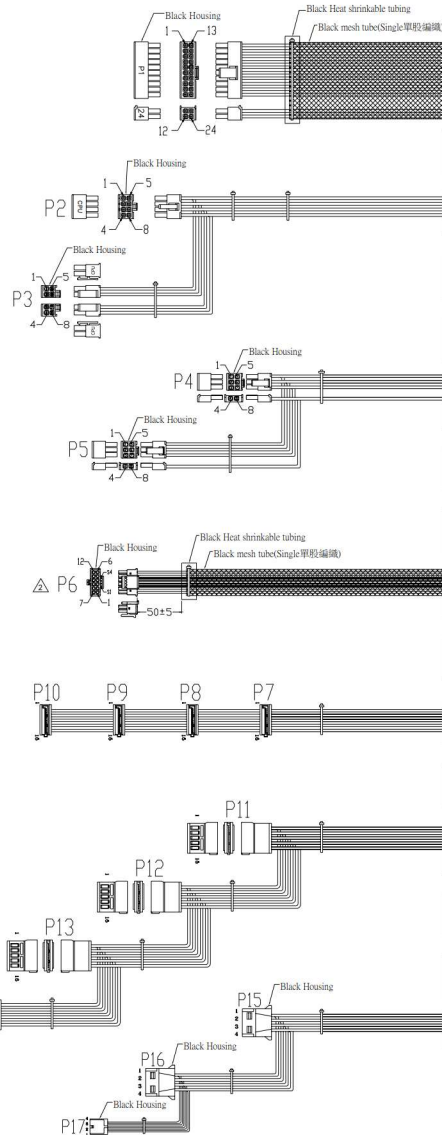
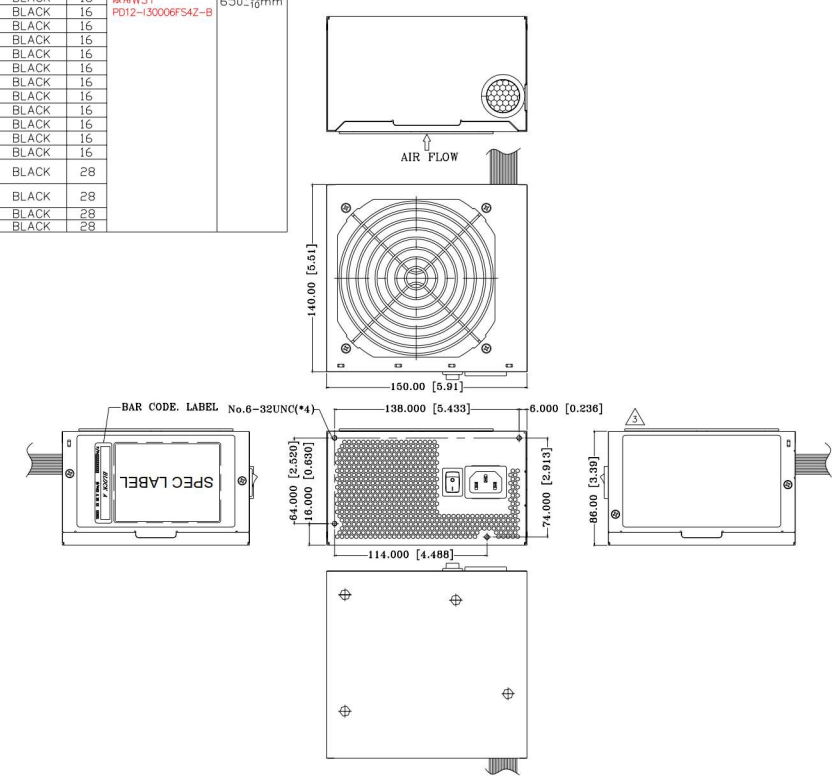


修改版次	號	修改事項	備註
△	1	配合線材圖修改外觀圖	
△	1	增加風扇網視圖於外觀上	

REF. ID.	PIN NO	SIGNAL	WIRE COLOR	GAUGE	CONNECTOR TYPE	CABLE LENGTH
P1 /24	1	+3.3VDC	ORANGE	18	WST	550±10mm
	2	+3.3VDC	ORANGE	18	P20-142002K11D-B +P4-142002K11D-B or EQUIV.	
	3	COM	BLACK	18		
	4	+5VDC	RED	18		
	5	COM	BLACK	18		
	6	+5VDC	RED	18		
	7	COM	BLACK	18		
	8	PW_OK	GRAY	24		
	9	+5Vsb	PURPLE	20		
	10	+12V	YELLOW	18		
	11	+12V	YELLOW	18		
	12	+3.3VDC	ORANGE	18		
	13	+3.3VDC	ORANGE	18		
	13	+3.3Vsense	BROWN	24		
	14	-12VDC	BLUE	24		
	15	COM	BLACK	18		
	16	PS_ON#	GREEN	24		
	17	COM	BLACK	18		
	18	COM	BLACK	18		
	19	COM	BLACK	18		
	20					
	21	+5VDC	RED	18		
	22	+5VDC	RED	18		
	23	+5Vsense	RED	24		
24	+5VDC	RED	18			
P2	1	COM	BLACK	18	MOLEX	600±10mm
	2	COM	BLACK	18	39-01-2080 or EQUIV.	
	3	COM	BLACK	18		
	4	COM	BLACK	18		
	5	+12V	YELLOW	18		
P3	1	COM	BLACK	20	WST	150±10mm
	2	COM	BLACK	20	P4-142002BK3B	
	3	COM	BLACK	20	+	
	4	COM	BLACK	20	P4-142002BK4B or EQUIV.	
	5	+12V	YELLOW	20		
	6	+12V	YELLOW	20		
	7	+12V	YELLOW	20		
	8	+12V	YELLOW	20		
P4	1	+12V	YELLOW	18	WST	500±10mm
	2	+12V	YELLOW	18	P8-142002K21B-B or EQUIV.	
	3	+12V	YELLOW	18		
	4	COM	BLACK	18		
	5	COM	BLACK	18		
	6	COM	BLACK	18		
	7	COM	BLACK	18		
	8	COM	BLACK	18		
P5	1	+12V	YELLOW	20	WST	155±10mm
	2	+12V	YELLOW	20	P8-142002K21B-B or EQUIV.	
	3	+12V	YELLOW	20		
	4	COM	BLACK	20		
	5	COM	BLACK	20		
	6	COM	BLACK	20		
	7	COM	BLACK	20		
	8	COM	BLACK	20		
P7	1	+3.3VDC	ORANGE	18	MOLEX	500±10mm
	2	COM	BLACK	18	SD-67926-0011 or EQUIV.	
	3	+5VDC	RED	18		
	4	COM	BLACK	18		
	5	+12V	YELLOW	18		
P8	1	+3.3VDC	ORANGE	18	MOLEX	50±10mm
	2	COM	BLACK	18	SD-67926-0011 or EQUIV.	
P9	3	+5VDC	RED	18		
	4	COM	BLACK	18		
P10	5	+12V	YELLOW	18		
	4	COM	BLACK	18		
P11	1	+3.3VDC	ORANGE	18	MOLEX	500±10mm
	2	COM	BLACK	18	SD-67582-001 or EQUIV.	
	3	+5VDC	RED	18		
	4	COM	BLACK	18		
	5	+12V	YELLOW	18		
P12	1	+3.3VDC	ORANGE	18	MOLEX	155±10mm
	2	COM	BLACK	18	SD-67582-001 or EQUIV.	
P13	3	+5VDC	RED	18		
	4	COM	BLACK	18		
P14	5	+12V	YELLOW	18		
	4	COM	BLACK	18		
P15	1	+12V	YELLOW	18	AMP	500±10mm
	2	COM	BLACK	18	1-480424-0 or EQUIV.	
	3	COM	BLACK	18		
	4	+5VDC	RED	18		
P16	1	+12V	YELLOW	18	AMP	155±10mm
	2	COM	BLACK	18	1-480424-0 or EQUIV.	
	3	COM	BLACK	18		
	4	+5VDC	RED	18		
P17	1	+5VDC	RED	20	AMP	155±10mm
	2	COM	BLACK	20	171822-4 or EQUIV.	
	3	COM	BLACK	20		
	4	+12V	YELLOW	20		



REF. ID.	PIN NO	SIGNAL	WIRE COLOR	GAUGE	CONNECTOR TYPE	CABLE LENGTH
P6	1	+12V	BLACK	16	標牌WST PD12-130006F54Z-B	650±10mm
	2	+12V	BLACK	16		
	3	+12V	BLACK	16		
	4	+12V	BLACK	16		
	5	+12V	BLACK	16		
	6	+12V	BLACK	16		
	7	COM	BLACK	16		
	8	COM	BLACK	16		
	9	COM	BLACK	16		
	10	COM	BLACK	16		
	11	COM	BLACK	16		
	12	COM	BLACK	16		
	S1	CARD_PWR-STABLE	BLACK	28		
	S2	CARD_CSL-PRES#	BLACK	28		
S3	SENSE0	BLACK	28			
S4	SENSE1	BLACK	28			



- NOTES:
- ALL THE LENGTH OF OUTPUT WIRES EXCLUDE HOUSING.
 - Label of origin is marked if indicated by sales.
 - DIMENSIONAL TOLERANCES: .XX=±0.5 [0.02]、.XXX=±0.25 [0.01].
 - △ 4. Cable used UL1007 black cable(P1~P5、P6-S1~P6-S4、P7~P17)
Cable used SOFT軟線80P UL1569 black cable(P6-1~P6-12)

P/N.:9PA8506102

MODEL NO. :FSP850-51AAC,GEN5,(STD0002)		TITLE:ASSY	SHEET: 1 OF 1	REV:03
R&D 8	PE	DRAWN	DATE	
				AUG.24.2023

UNIT:mm [inch]