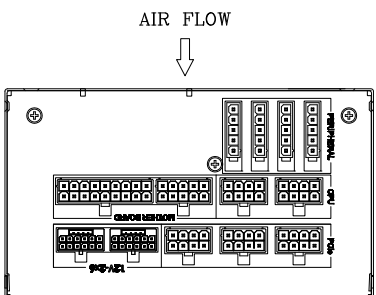
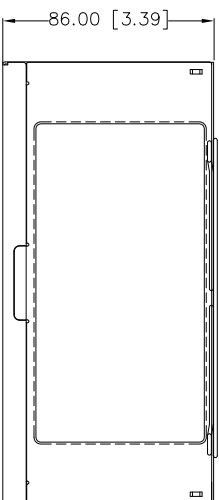
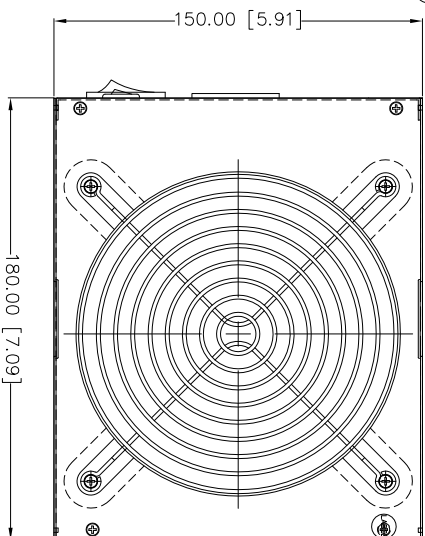
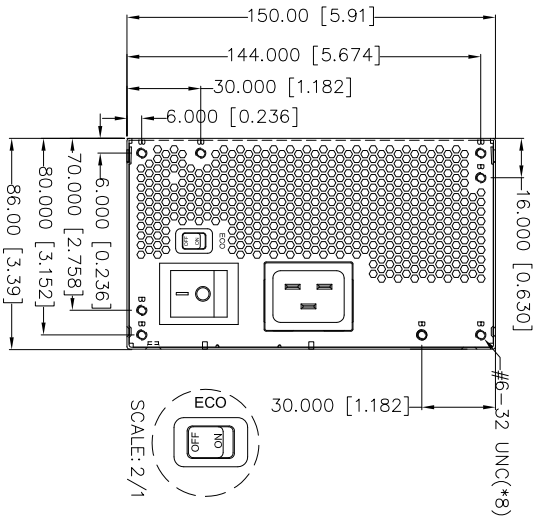


2 變更絲印



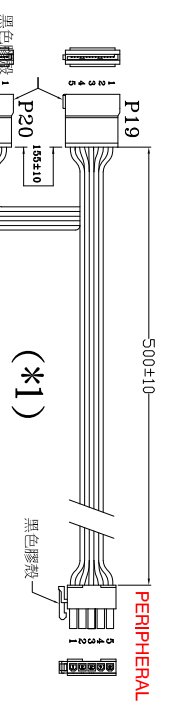
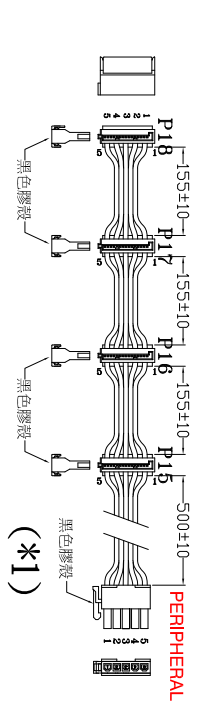
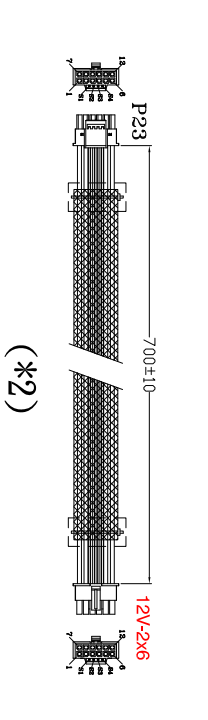
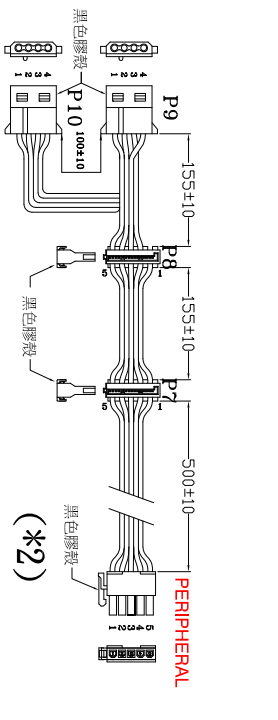
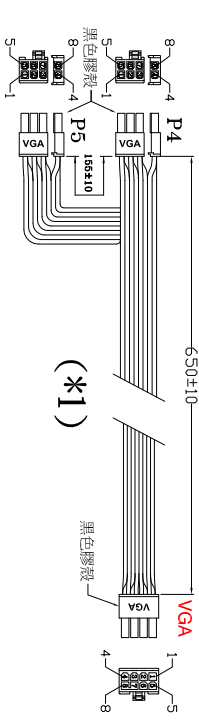
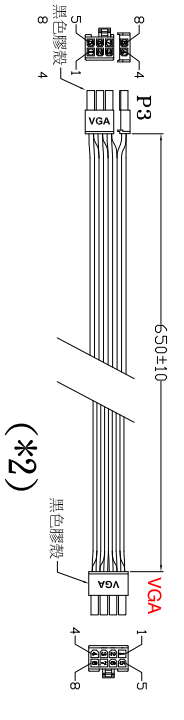
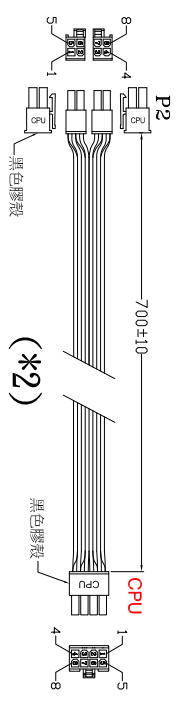
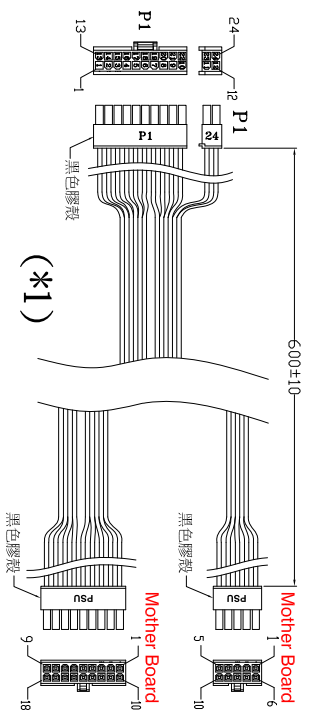
NOTE:

1. ALL THE LENGTH OF OUTPUT WIRES EXCLUDE HOUSING.
2. 公差: .XX=±0.5 [0.02]、.XXX=±0.25 [0.01]

UNIT:mm

P/N.:9PA16F0100

MODEL NO. : FSP1650-57AZB	TITLE: ASSY	SHEET: 1 OF 2	REV:02
R&D(2)	PE	DRAWN	DATE
INTERIOR COUNTERSIGN:			FEB.05.2024



REF. ID.	PIN NO.	SIGNAL	WIRE COLOR	GAUGE	CONNECTOR TYPE
P7-8	1	+3.3VDC	BLACK	18	MOLEX SD-67926 -0011 or EQUIV.
	2	COM	BLACK	18	
	3	+5V	BLACK	18	
	4	COM	BLACK	18	
P15-18	1	+12V	BLACK	18	AMP 1-480424-9 or EQUIV.
	2	COM	BLACK	18	
	3	COM	BLACK	18	
	4	+5V	BLACK	18	
P9	1	+3.3VDC	BLACK	18	MOLEX SD-67582 -001 or EQUIV.
	2	COM	BLACK	18	
	3	+5V	BLACK	18	
	4	COM	BLACK	18	
P22	1	+12V	BLACK	16	WST PD12-130006FS4Z -B
	2	+12V	BLACK	16	
	3	+12V	BLACK	16	
	4	+12V	BLACK	16	
	5	+12V	BLACK	16	
	6	+12V	BLACK	16	
	7	COM	BLACK	16	
	8	COM	BLACK	16	
P23	9	COM	BLACK	16	WST PD12-130006FS4Z -B
	10	COM	BLACK	16	
	11	COM	BLACK	16	
	12	COM	BLACK	16	
	S1	CARD_PWR_STABLE	BLACK	24	
	S2	CARD_CLK_PRES#	BLACK	24	
	S3	SENSEFO	BLACK	24	
	S4	SENSEPI	BLACK	24	

REF. ID.	PIN NO.	SIGNAL	WIRE COLOR	GAUGE	CONNECTOR TYPE
P1	1	+3.3VDC	BLACK	16	WST P20-142002K1D-B + P4-142002K1D-B or EQUIV.
	2	+3.3VDC	BLACK	16	
	3	+3.3V Sense	BLACK	22	
	4	COM	BLACK	16	
	5	+5V	BLACK	16	
	6	+5V	BLACK	16	
	7	COM	BLACK	16	
	8	PW-OK	BLACK	22	
	9	+5Vsb	BLACK	16	
	10	+12V	BLACK	16	
P2	11	+12V Sense	BLACK	22	WST P4-142002K3B-B4 + P4-142002K4B-B4 or EQUIV.
	12	+12V	BLACK	16	
	13	+3.3VDC	BLACK	16	
	14	+3.3VDC	BLACK	16	
	15	-12VDC	BLACK	16	
	16	COM	BLACK	16	
	17	PS-ON	BLACK	22	
	18	COM	BLACK	16	
	19	COM	BLACK	16	
	20	COM	BLACK	16	
P3	21	+5V	BLACK	16	WST P6-142002K21-B6 + P2-142002K13B-B or EQUIV.
	22	+5V	BLACK	16	
	23	+5V	BLACK	16	
	24	COM	BLACK	16	
P4	1	COM	BLACK	16	WST P6-142002K21-B6 + P2-142002K13B-B or EQUIV.
	2	COM	BLACK	16	
	3	COM	BLACK	16	
	4	COM	BLACK	16	
P5	5	+12V	BLACK	16	WST P6-142002K21-B6 + P2-142002K13B-B or EQUIV.
	6	+12V	BLACK	16	
	7	+12V	BLACK	16	
	8	+12V	BLACK	16	

UNIT:mm [inch]

MODEL NO.: FSP1650-57AZB

TITLE: ASSY

SHEET: 2 OF 2 REV:02

P/N.:9PA16F0100