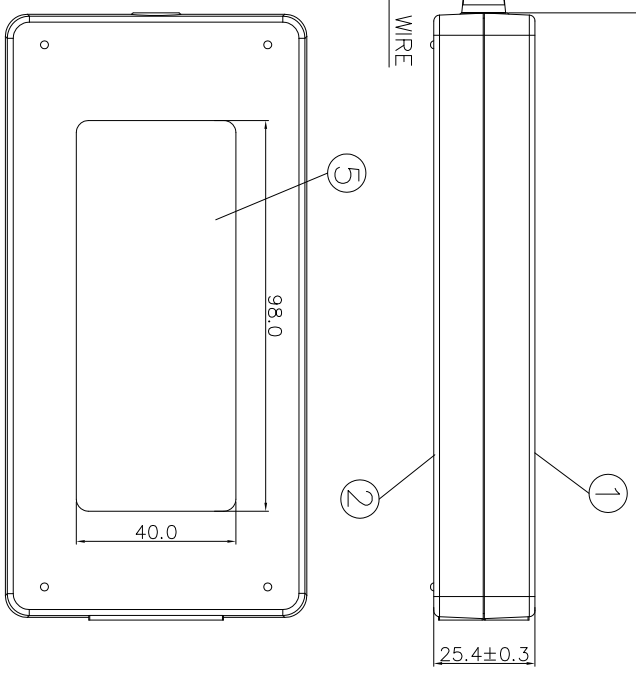


DIN PLUG	POLARITY	COLOR
P1	VO(+)	RED
P2		
SIELD		
P3	GND(-)	BLACK
P4		

ITEM	PART NAME	COLOR
1	COVER	BLACK
2	CHASSIS	BLACK
3	POWER CORD	BLACK
4	SOCKET	BLACK
5	LABEL	BLACK



THIRD ANGLE PROJECTION

SCALE: UNIT:mm

DIMENSIONAL TOLERANCES	HOLE:	ANGLES:
()	()	()
<30 :±0.2	0~100 :±0.2	0~60 :±1.5
30~100 :±0.3	100~200 :±0.3	60~90 :±1.5
>100~200 :±0.4	200~300 :±0.4	90~OTHER :±1
>200~300 :±0.5	300~400 :±0.5	
>300 :±0.5	400~OTHER :±0.5	

P/N.:9NA1505300

MODEL NO. : FSP150-AHAN3(STD0001)	TITLE: Physical Dimension	SHEET: 1 OF 1	REV:01
R&D3 Division	PE ABBY	ME ABBY	DATE 2017-07-11
L.J			
INTERIOR COUNTERSIGN:			