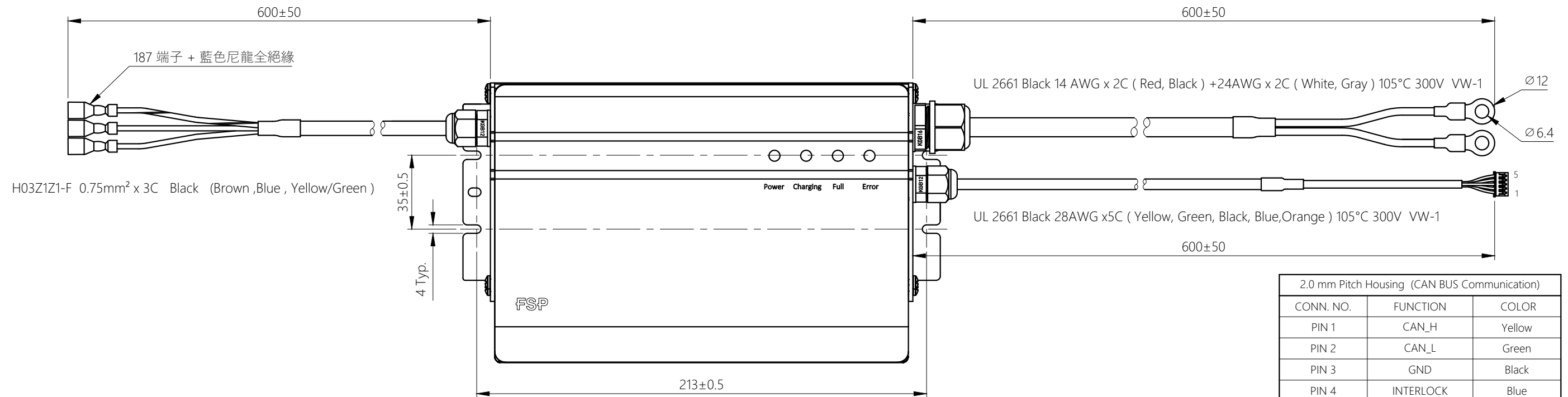
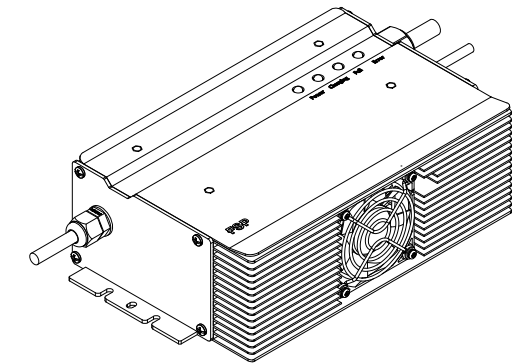
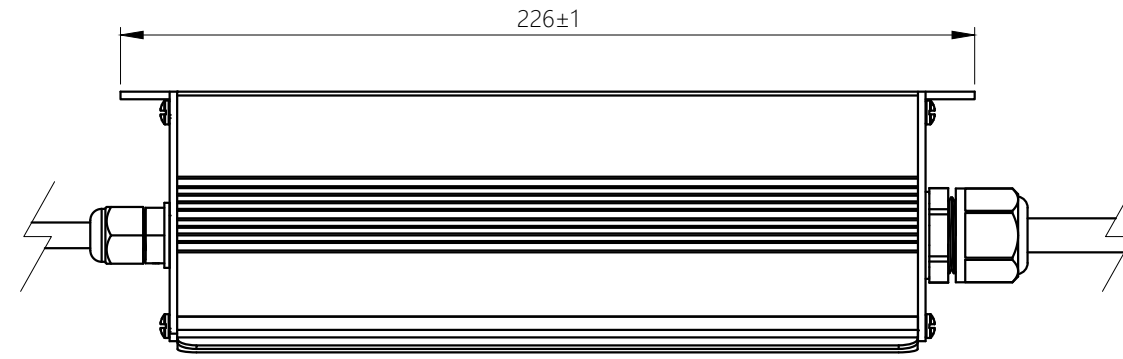
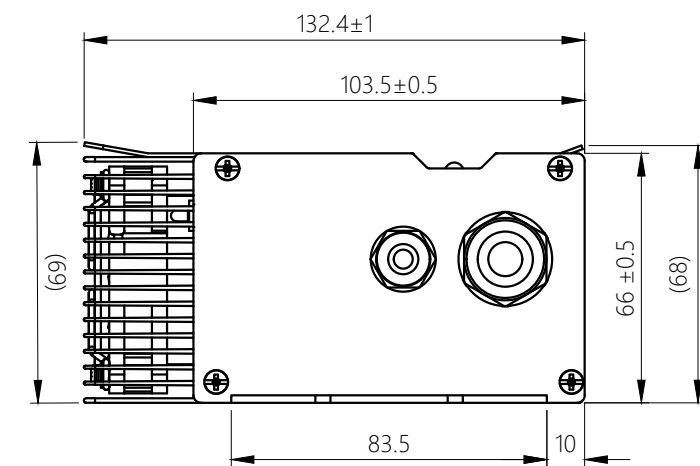
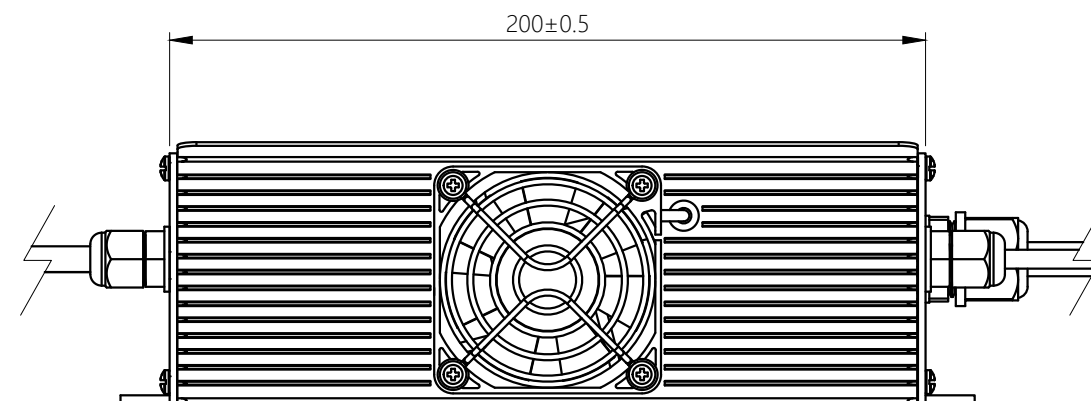
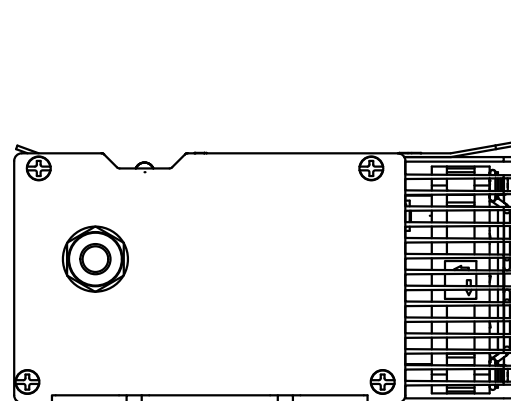


Item Number	Revise Version	Modify Description	Editor	Remark
1				



2.0 mm Pitch Housing (CAN BUS Communication)		
CONN. NO.	FUNCTION	COLOR
PIN 1	CAN_H	Yellow
PIN 2	CAN_L	Green
PIN 3	GND	Black
PIN 4	INTERLOCK	Blue
PIN 5	WAKE_UP_BAT	Orange



DIMENSIONAL TOLERANCES		HOLES: ±0.05 ANGLES: ±0.5°		MODEL NO.: FSP600-1UAC01		TITLE: OUTLINE DRAWING		SHEET 1 of 1		REV. 01	
UP~100: ±0.2	250~300: 4			TOOLING-Number:		R&D (RDTE)		CHECK		PE	
100~150: ±0.25	300~350: ±0.45					<i>Albert</i>		Shine		DATE	
150~200: ±0.3	350~400: ±0.5					SCALE		1:2		2021/05/11	
200~250: ±0.35						UNIT		mm		FORMAT	
								A3			