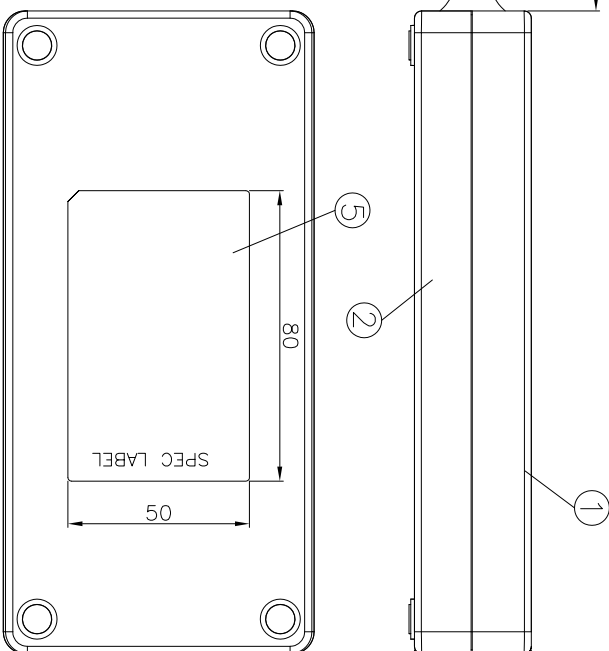


DIN PLUG	POLARITY	COLOR
PIN1	Plus(+)	Red
PIN2	ID	Yellow
PIN3		
PIN4	Minus(-)	Black

ITEM	PART NAME	COLOR
1	COVER	BLACK
2	CHASSIS	BLACK
3	DC CABLE	BLACK
4	SOCKET	BLACK
5	LABEL	BLACK



THIRD ANGLE PROJECTION

DIMENSIONAL TOLERANCES		HOLES : +0.08		ANGLES : +0.5°	
( )	<30	( )	Ø<30	( )	<30
( )	30~100	( )	Ø30~Ø100	( )	30~100
( )	>100~300	( )	Ø100~Ø300	( )	>100~300
( )	>300~900	( )	Ø300~Ø900	( )	>300~900
( )	>900	( )	Ø900~Ø	( )	>900

SCALE: UNIT : mm

P/N.: 9NA1760100

MODEL NO. : FSP176-14S3AC8	TITLE: Physical Dimension	SHEET: 1 OF 1	REV:01
R&D3 Division	PE Angela	ME Angela	DATE 2022/02/10
INTERIOR COUNTERSIGN:			

