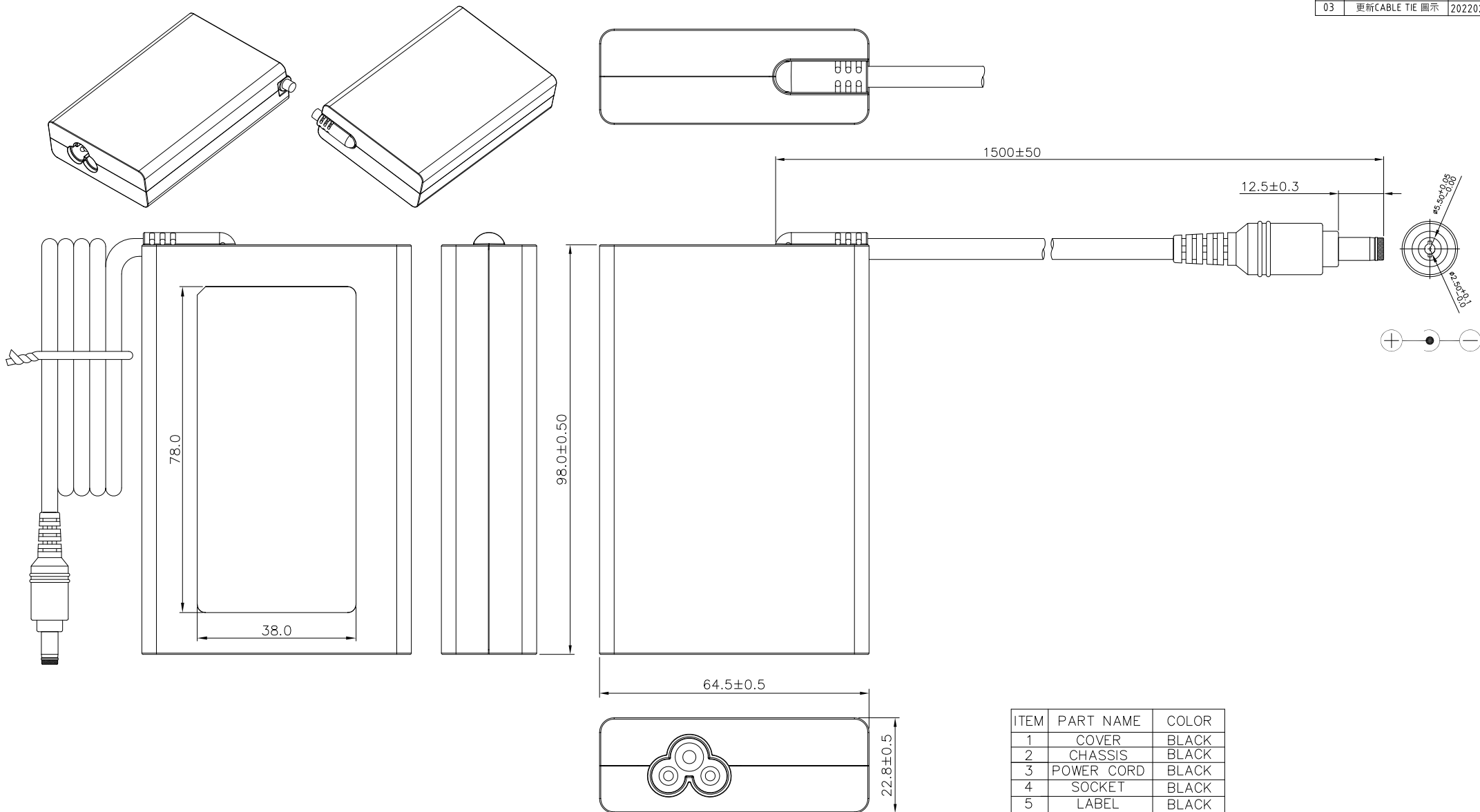


REV	DESCRIPTION	DATE
02	修正尺寸·更新圖面	20210707
03	更新CABLE TIE 圖示	20220208



ITEM	PART NAME	COLOR
1	COVER	BLACK
2	CHASSIS	BLACK
3	POWER CORD	BLACK
4	SOCKET	BLACK
5	LABEL	BLACK

P/N.:9NA1209900

THIRD ANGLE PROJECTION		DIMENSIONAL TOLERANCES		HOLES : ±0.05 ANGLES : ±0.5°	
(V)	()	()	()	()	()
<30 : ±0.2	DECIMALS	UP~100 : ±0.2	250~300 : ±0.4	UP~600 : ±1.5	
>30~100 : ±0.3	X : ±0.8	100~150 : ±0.25	300~350 : ±0.45	600~900 : ±2.4	
>100~200 : ±0.4	XX : ±0.5	150~200 : ±0.3	350~400 : ±0.5	900~OVER : ±3.1	
>200~300 : ±0.5	XXX : ±0.3	200~250 : ±0.35			
ABOVE 300 : ±0.8					

MODEL NO. : FSP120-ABBU3		TITLE: Physical Dimension		SHEET: 1 OF 1		REV:03	
R&D3 Division		P E		ME		DATE	
L.J		ZL		ZL		2022-02-08	
INTERIOR COUNTERSIGN:							